

VACUUM SYSTEMS



## Liberty Vacuum System

Each Liberty Vacuum System combines an AutoVac vacuum producer and an AutoVac filter separator in one convenient package. Choose from nine different Liberty models varying in size to serve between one and 12 simultaneous users.

As your vacuum producer creates suction it pulls air, dirt and debris from the end user's nozzle, through the vacuum hose, and into the lower half of the filter separator. Here, a precisely engineered cone creates a powerful cyclone that guides debris downward into a waste container. The air then passes through a series of filter bags in the upper portion of the filter separator. Only clean dry air returns to the vacuum producer. Combine your Liberty Vacuum with engineered piping, support structures and motor controls to complete your central vacuum system.



Piping and muffler  
sold separately.

**888-628-8682**

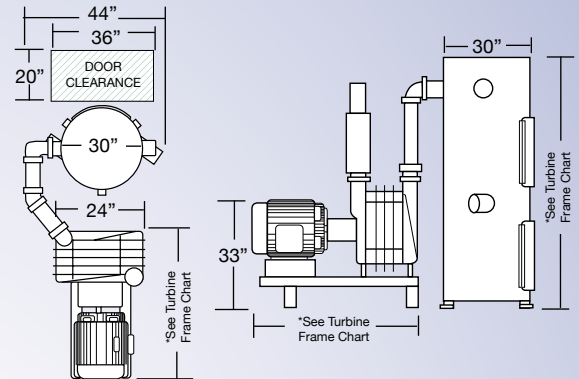
email: [sales@auto-vac.com](mailto:sales@auto-vac.com) • [www.auto-vac.com](http://www.auto-vac.com)

# Liberty Vacuum System, 400 Series

Standard 3 Phase	Model: Standard Performance, 3600 RPM*					
Total Simultaneous Users 15'x1 1/2" Dia. Vac Hose	HP	Vacuum Frame Dimensions	Weight lbs.	Decibels at 10ft.	Separator Dimensions	Order #
3-4 Users	<b>10HP</b> 3600 RPM	38"	850	70	64"x 30"	114-1032
4-5 Users	<b>15HP</b> 3600 RPM	48"	975	71	64"x 30"	114-1542
5-6 Users	<b>20HP</b> 3600 RPM	48"	1050	72	76"x 30"	114-2052
6-7 Users	<b>25HP</b> 3600 RPM	54"	1200	74	76"x 30"	114-2562

\* Please consult your AutoVac sales professional for 50 Hz, 575 volt, and high altitude applications above 3000'. Explosion proof motors available.

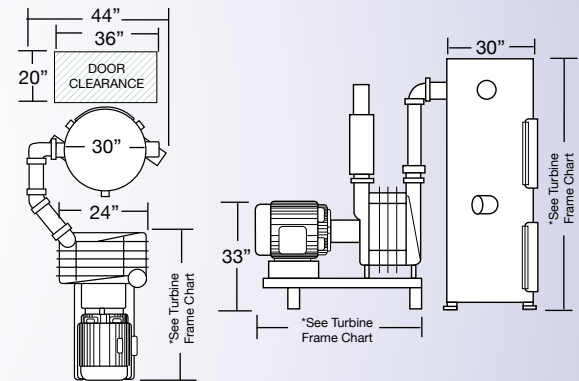
To complete your central vacuum system, combine your Liberty with the appropriate piping, motor controls and support structure.



# Liberty Vacuum System, 600 Series

Standard 3 Phase	Model: Standard Performance, 3600 RPM*					
Total Simultaneous Users 15'x1 1/2" Dia. Vac Hose	HP	Frame Dimensions	Weight lbs.	Decibels at 10ft.	Separator Dimensions	Order #
8-10 Users	<b>25HP</b> 3600 RPM	60"	1250	72	76"x 30"	116-2562
10-12 Users	<b>30HP</b> 3600 RPM	64"	1300	74	76"x 30"	116-3072

\* Please consult your AutoVac sales professional for 50 Hz, 575 volt, and high altitude applications above 3000'. Explosion proof motors available.



# Liberty Vacuum System, Direct Drive Series

Standard 3 Phase	Model: Standard Performance, 3600 RPM*					
Total Simultaneous Users 15'x1 1/2" Dia. Vac Hose	HP	Frame Dimensions	Weight lbs.	Decibels at 10ft.	Separator Dimensions	Order #
3-4 Users	<b>10HP</b> 3600 RPM	32"	725	70	60"x 30"	111-1032
4-5 Users	<b>15HP</b> 3600 RPM	35"	750	71	60"x 30"	111-1542
5-6 Users	<b>20HP</b> 3600 RPM	38"	775	72	60"x 30"	111-2052

\* Please consult your AutoVac sales professional for 50 Hz, 575 volt, and high altitude applications above 3000'. Explosion proof motors available.

