

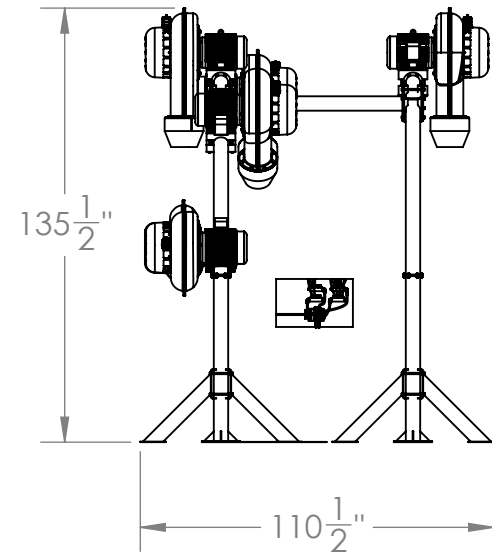
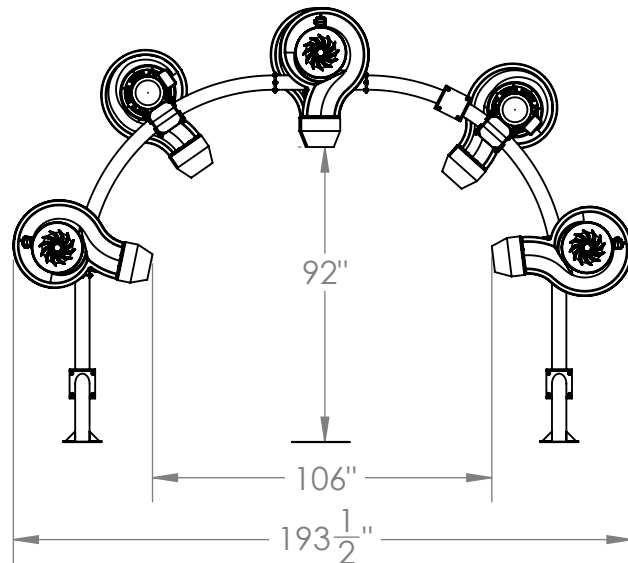
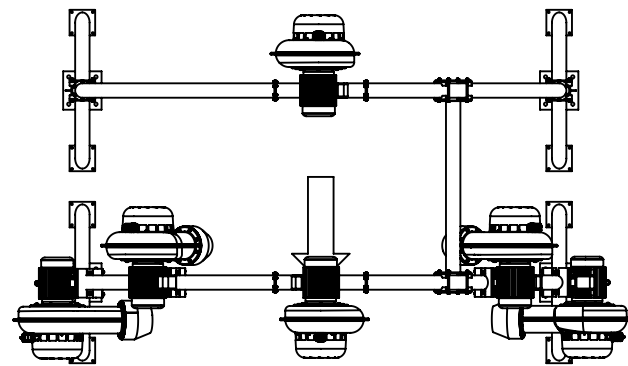
AutoDryer™ 6 Blower/2 Arch For Upto 70 Cars per Hour

Features

- Solid cast aluminum housings form a rigid no-flex design
- Larger, more efficient impeller blades
- Customizable layout
- Customizable color
- High Quality Components
- Arch assembly available in several styles
- Nozzle are easy to change and available in 4 styles

Benefits

- No "Oil-Canning", rigid design holds its shape and resists cracking, dramatically longer equipment life
- Larger air blades create greater pressure (made possible by rigid aluminum housing)
- Dryers can be arranged to your exact specifications, units are interchangeable for left or right mounting
- Match your wash's color scheme
- Our impellers, air actuators, fasteners and hardware are designed for maximum reliability and durability
- Choose a material that fits our needs: steel (with Endura paint), stainless steel, or aluminum
- Create the ideal air pressure and airflow where you need it



AutoDryer™ Specifications

MOTOR HP	10 or 15
MOTOR VOLTAGE - 3 PHASE	208/230/460/575
RUNNING APMS	48 / 11kW
RUN APMS w/AIRBRAKE	24 / 9kW
STANDBY AMP w/AIRBRAKE & DRYERIQ	12 / 2kW
DECIBEL LEVELS dBA @ 10' / 20' / 50'	82 / 79 / 72